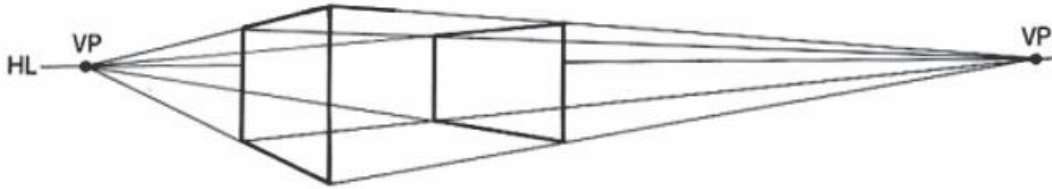
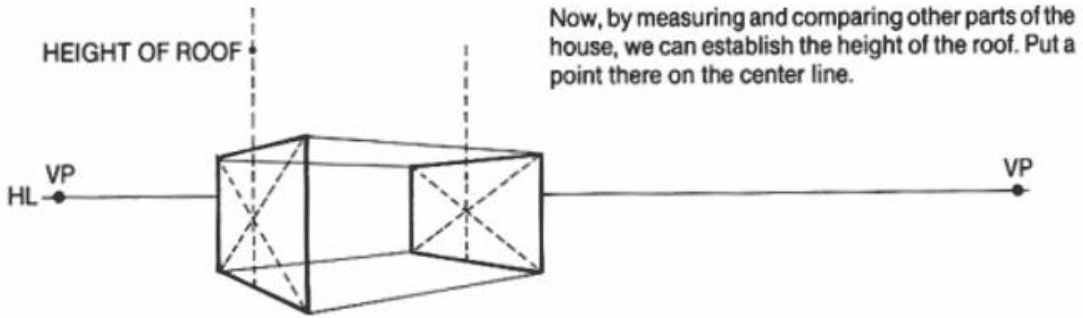


2-Point Perspective in Life

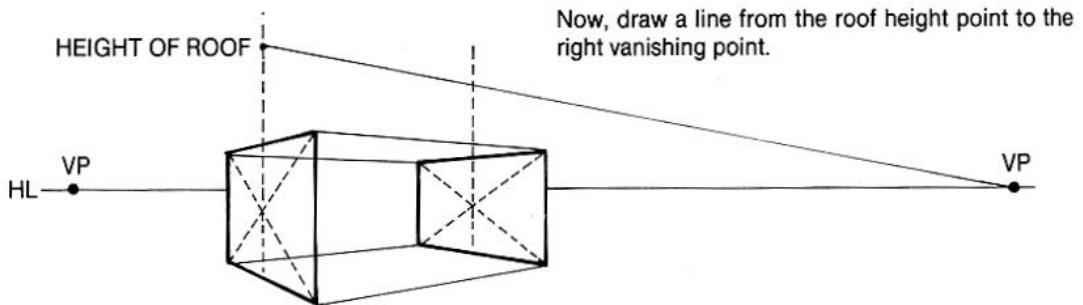
Draw a 3-dimensional rectangular cube that is both above and below the horizon line, & to the left



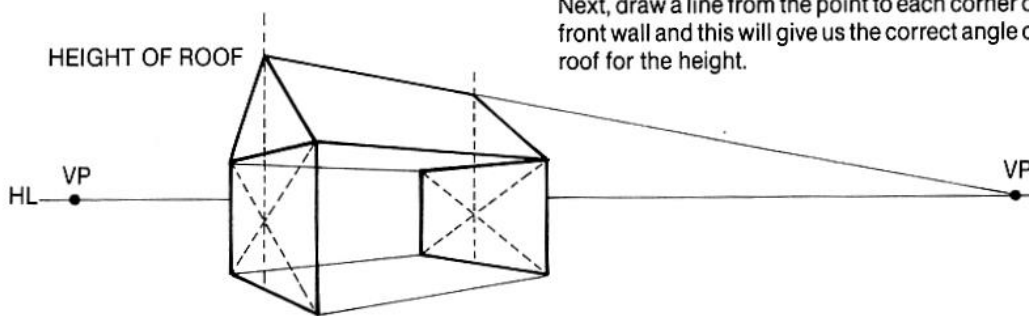
To find the point of the roof, draw a line from each corner to the other. This gives us the exact center of the front and back of the house. Next, draw a vertical guideline for the true center line extending above the walls.



Now, by measuring and comparing other parts of the house, we can establish the height of the roof. Put a point there on the center line.

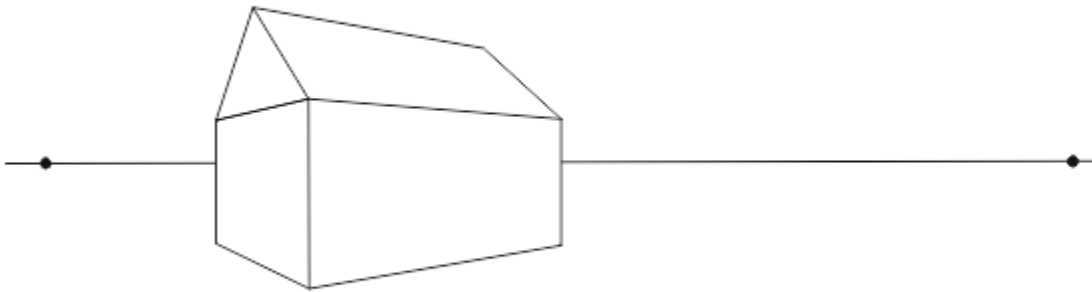


Now, draw a line from the roof height point to each corner of the front wall and this will give us the correct angle of the roof for the height.

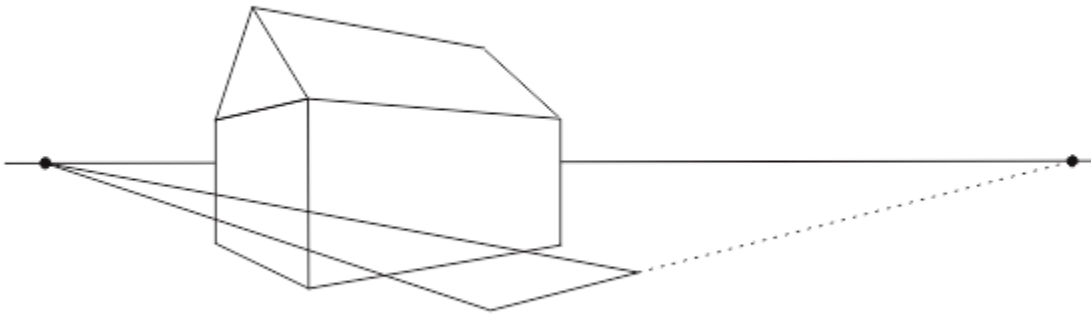


Next, draw a line from the point to each corner of the front wall and this will give us the correct angle of the roof for the height.

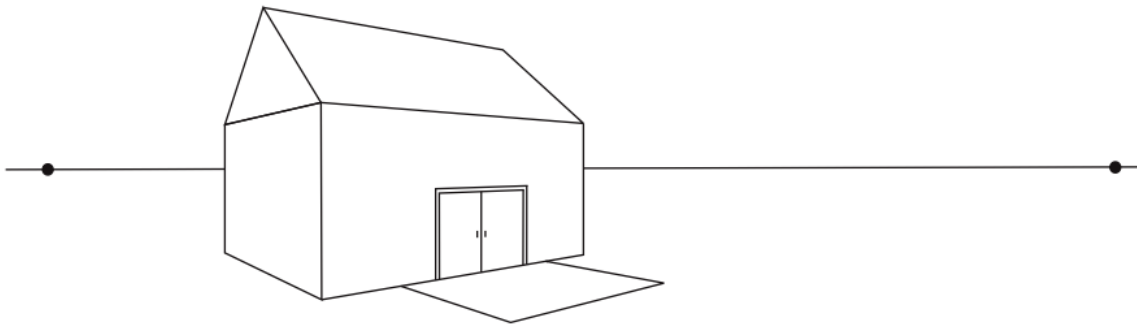
The point where the line for the top of the roof crosses the back vertical center line marks the point and pitch of the roof at the back of the house.



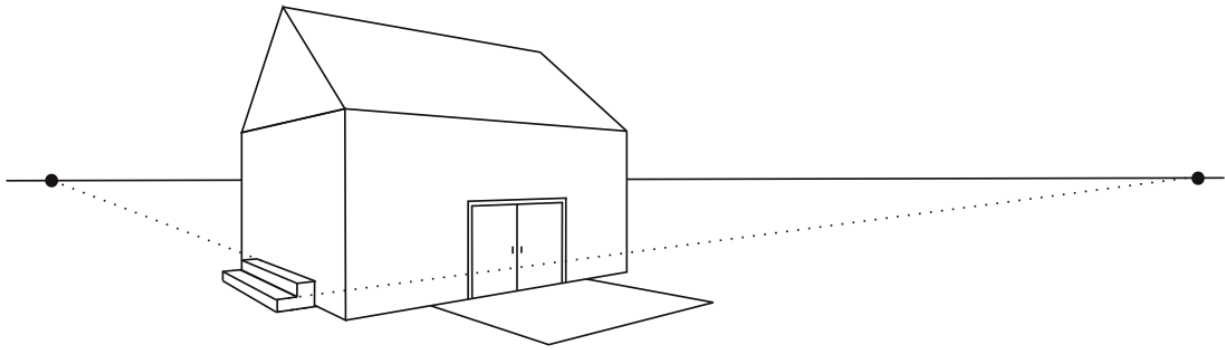
Thoroughly erase all the lines within your house structure



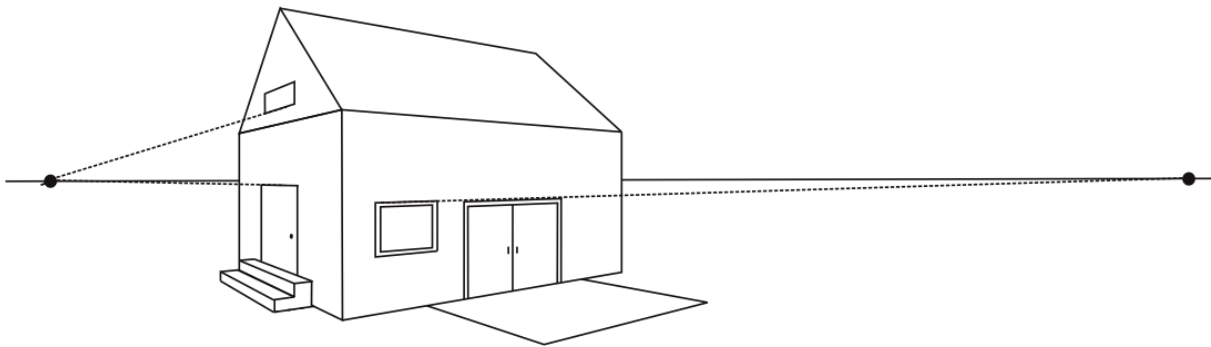
Create a patio sticking off the side of the house using these guides. You DON'T need to draw lines all the way to the vanishing point. Just use your ruler to line your patio edges up correctly.



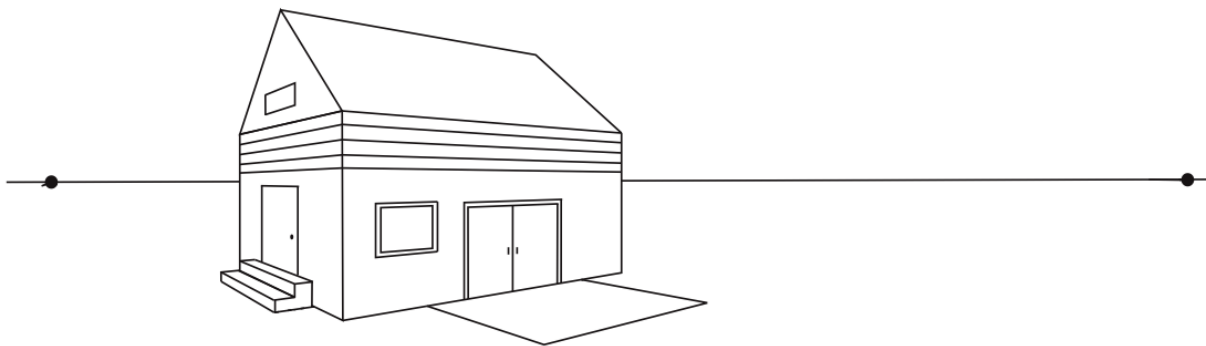
Add a patio door and frame using your vanishing points correctly.



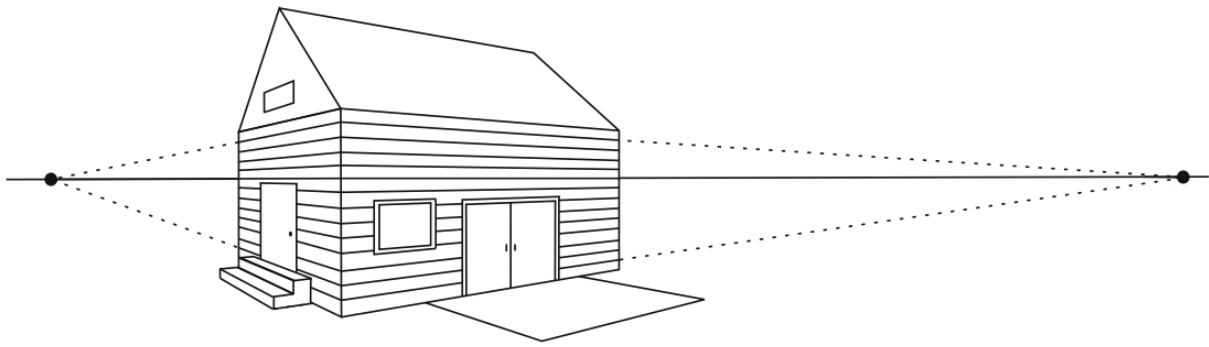
Create steps on the side of the house. Use each vanishing point to get the right angle for each step.



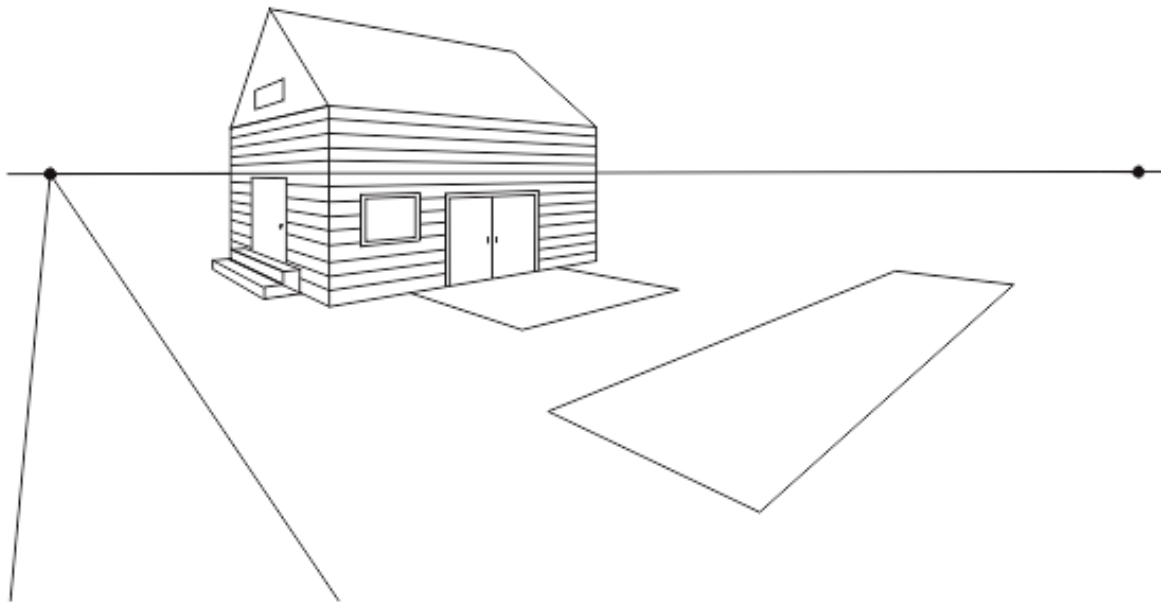
Add Windows and a Door using the vanishing points as reference.



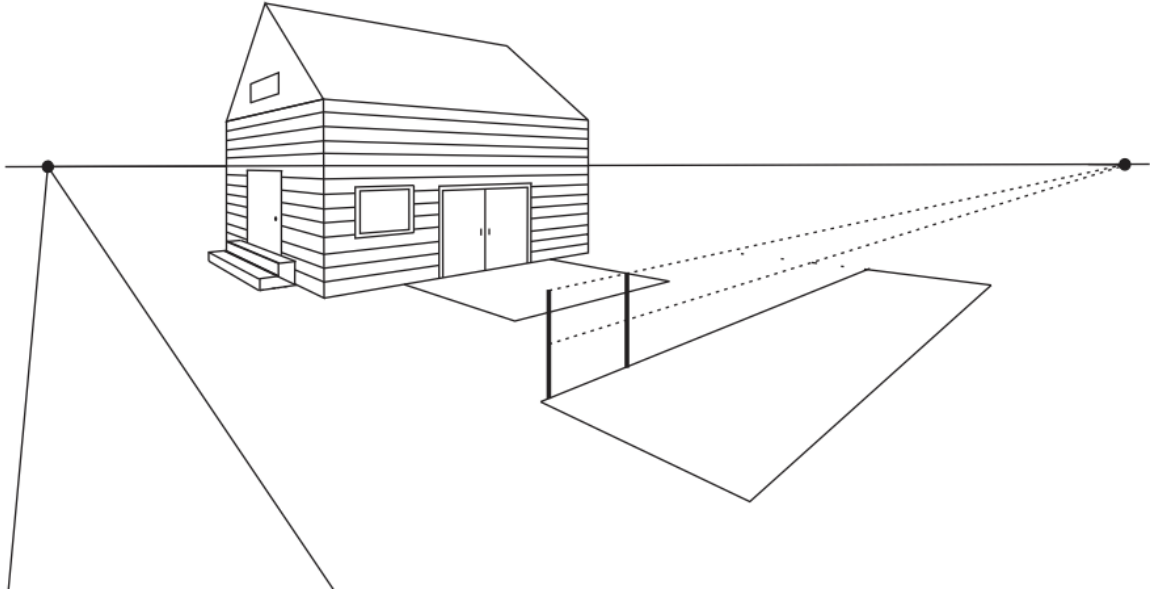
Begin adding siding to the house by using the vanishing point for each side.



Complete the job



Add a road going past the front of the house, and the border for a garden in front of the patio

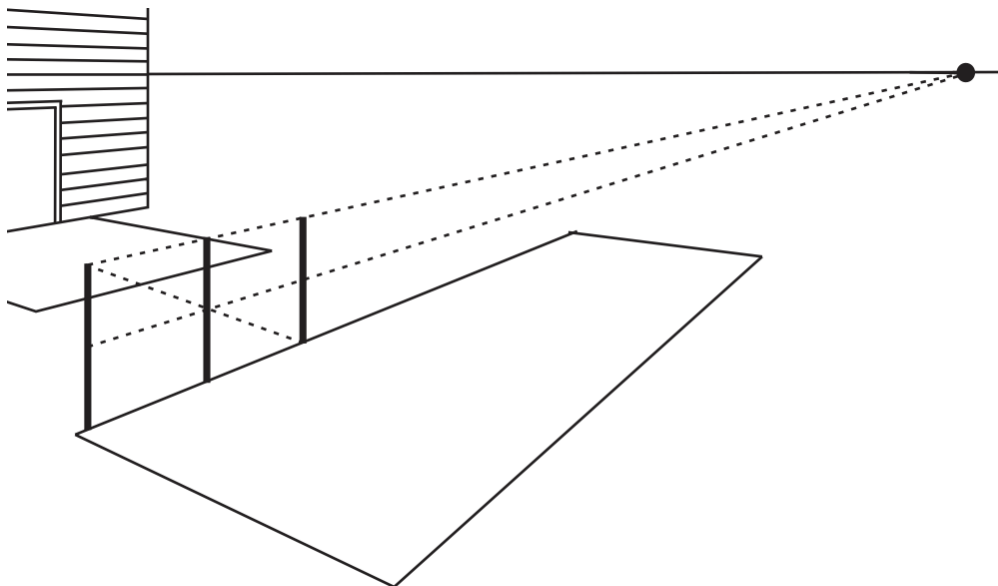


Draw a Vertical post at the end of the garden/pool/whatever. Draw a LIGHT reference line from the top of the post to the vanishing point.

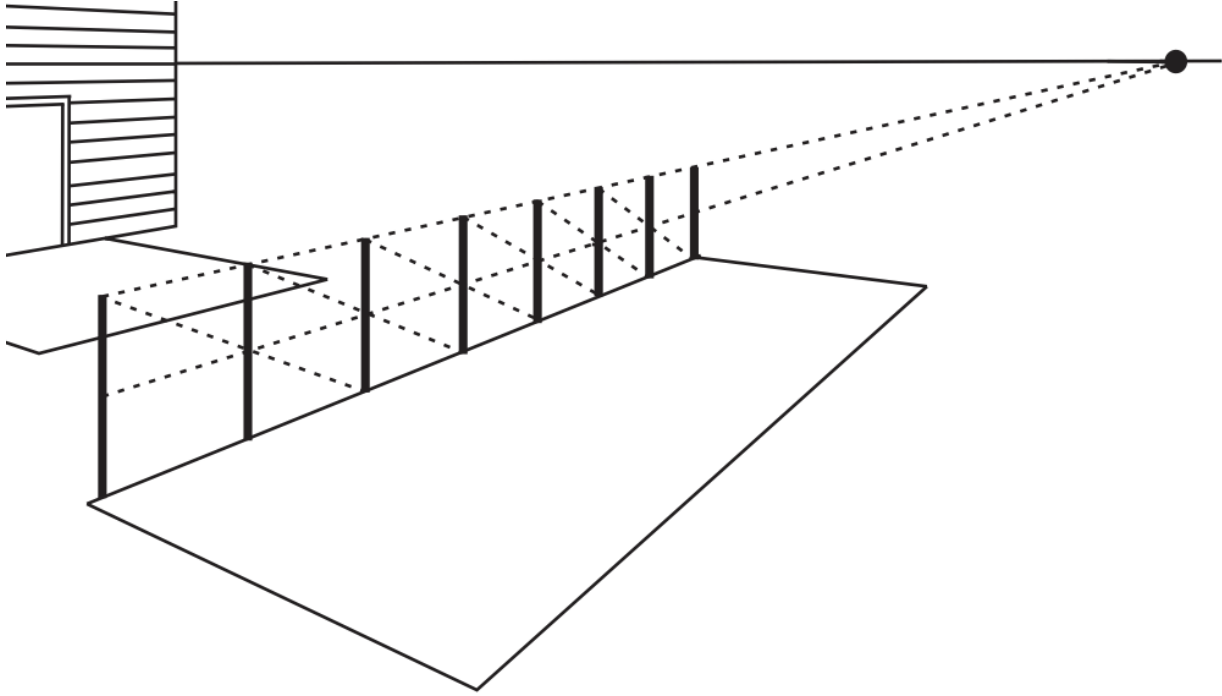
Find the middle of the post. Draw a LIGHT reference line from the middle of the post to the vanishing point.

You NEED to have both these reference lines in place in order to create receding fence posts.

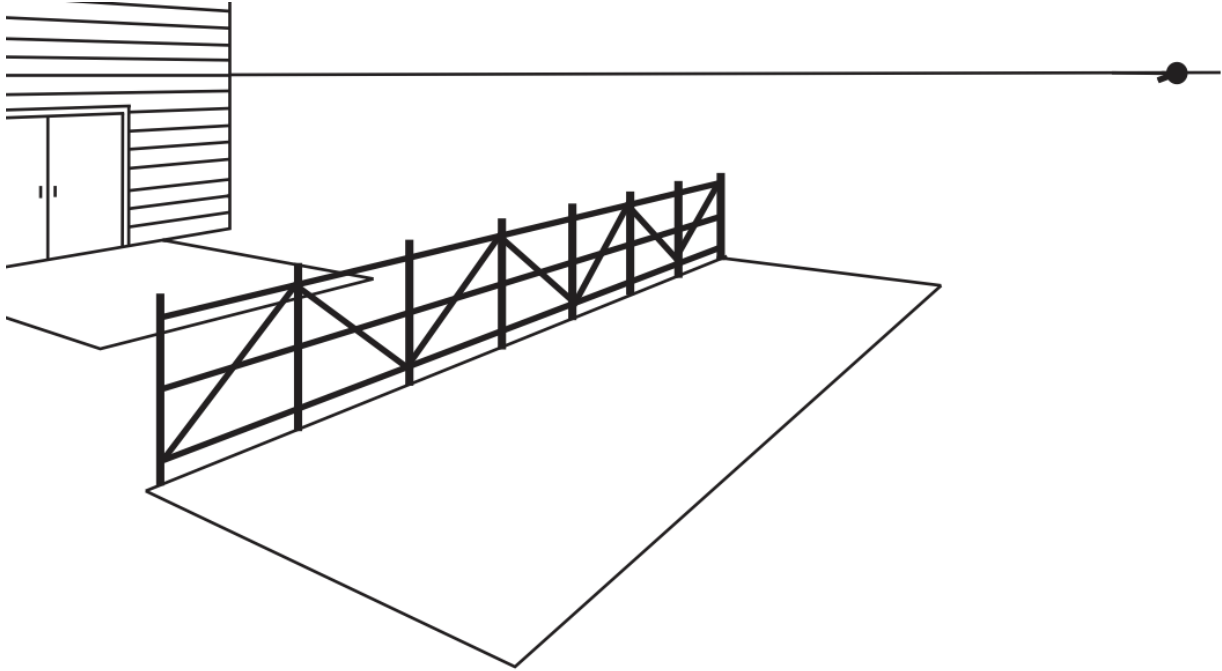
Pick a random spot to draw the second vertical post.



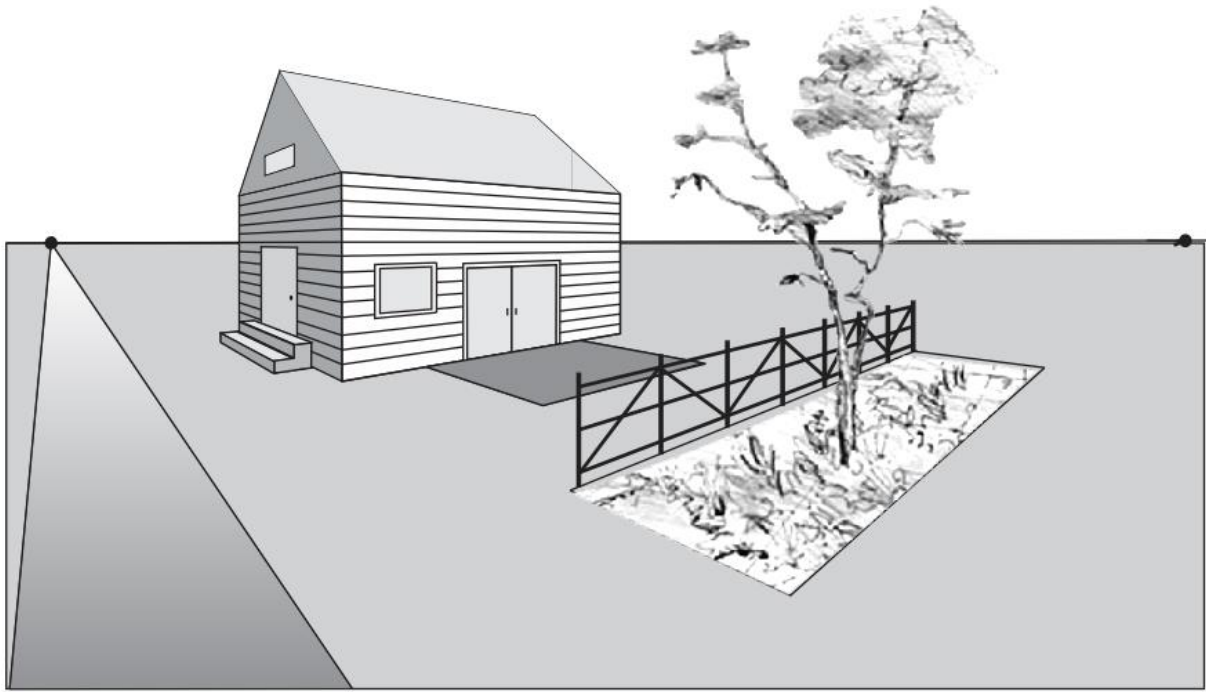
Make a light reference line that goes from the top of the 1st post through the middle of the 2nd post. Where this line touches the ground is where you would place the 3rd post. This technique works for ANYTHING that is lined up and recedes into the distance.



Repeat the process until you have a full row of fence posts.



Create the fence details how you like. Add cross posts, or other designs that fit.



Add basic shading to areas of the house and landscape that need it

Create SOMETHING that fits in the rectangle area next to your fence.

- a) Garden b) Swimming pool C) Bushes d) Rock Garden etc.