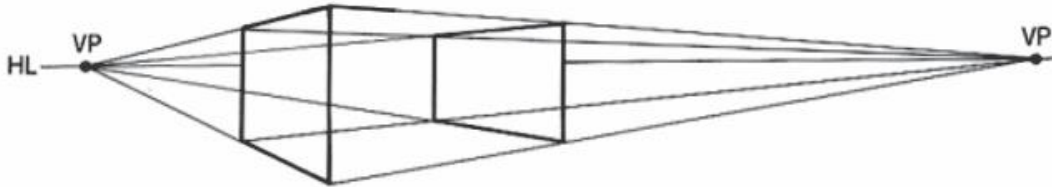
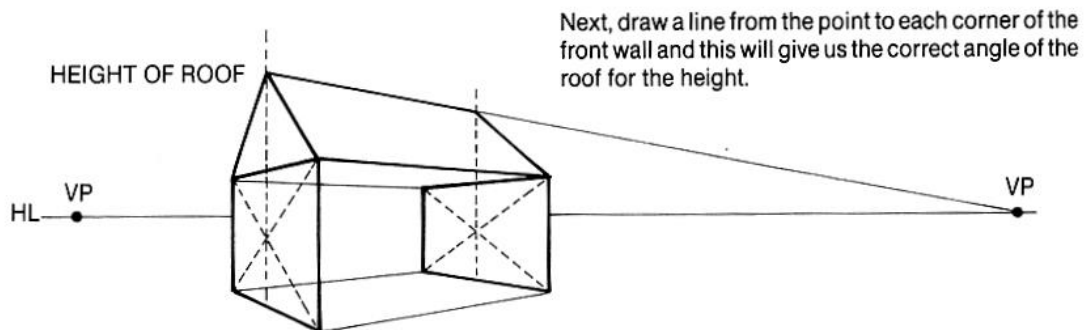
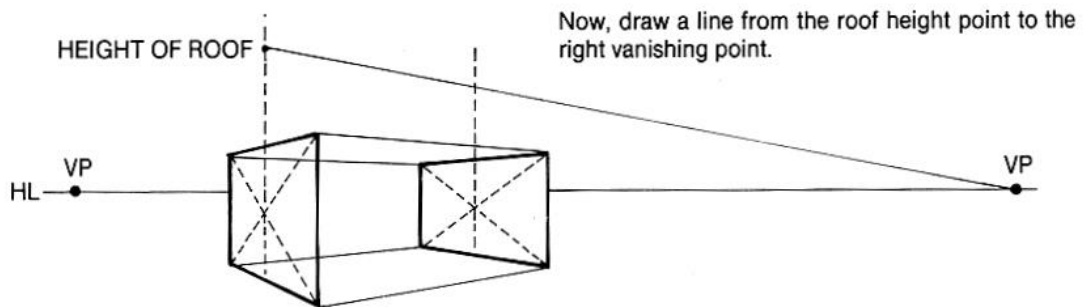
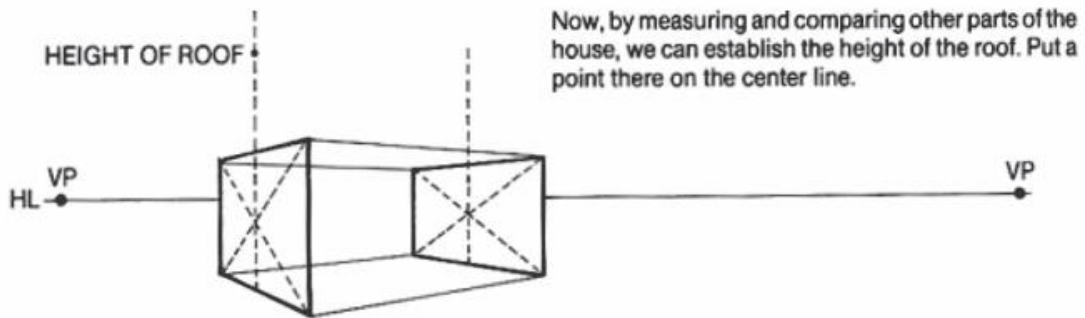


2-Point Perspective in Life

Draw a 3-dimensional rectangular cube that is both above and below the horizon line, & to the left



To find the point of the roof, draw a line from each corner to the other. This gives us the exact center of the front and back of the house. Next, draw a vertical guideline for the true center line extending above the walls.



The point where the line for the top of the roof crosses the back vertical center line marks the point and pitch of the roof at the back of the house.